

Angular Contact Ball Bearings

Bearing No. : **NACHI 7236DF**

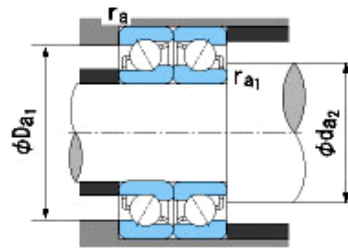
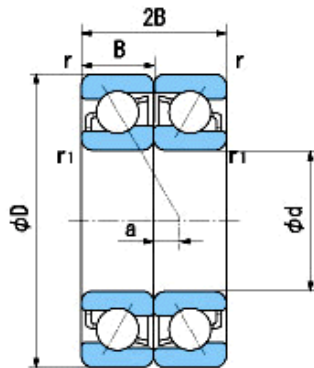
■ Bearing Type

■ Clearance

■ Tolerance Class

Dimensions

d = 180⁰_{-0.025}
 D = 320⁰_{-0.040}
 B = 52⁰_{0.000}
 r = 4~6.5
 (Radial Direction)
 r = 4~9
 (Axial Direction)
 r1 = 1.5~3
 (Radial Direction)
 r1 = 1.5~5
 (Axial Direction)
 a = 46.2



Dimensions

da1(min) = 198
 da2(min) = 189
 Da1(max) = 302
 Da2(max) = 311
 ra(max) = 3
 ra1(max) = 1.5
 Mass = 39.8 kg

Basic Dynamic Load Rating Cr : **455,000** N

Basic Static Load Rating Cor : **705,000** N

Limiting Speed ;

Grease Lubrication : **1,300** min⁻¹

Oil Lubrication : **1,800** min⁻¹

	INNER RING	OUTER RING
O.D.Surface Runout with Side :		-
Axial Runout with Bore :	-	-
Axial Runout with Raceway :	-	-
Width Variation :	0.030	0.030
Radial Runout :	0.030	0.070